

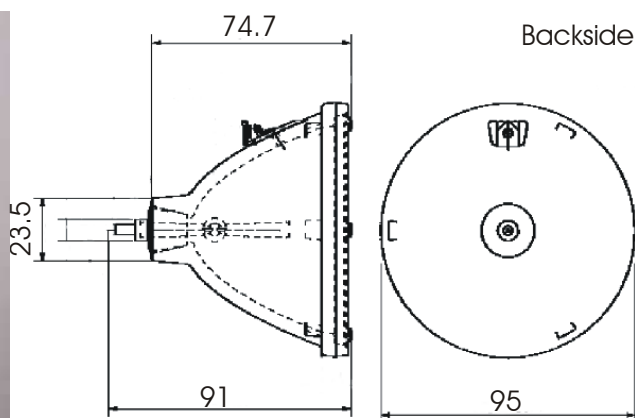
Product information

Lamp modules for OverView D

Projection systems of the OverView D series can be equipped with different types of illumination units. The illumination units are all designed as dual lamp systems and use 100W lamps, or 120W lamps, or 200W lamps.

100 W lamp (production no.: R764454 / sales no.: R9842440)

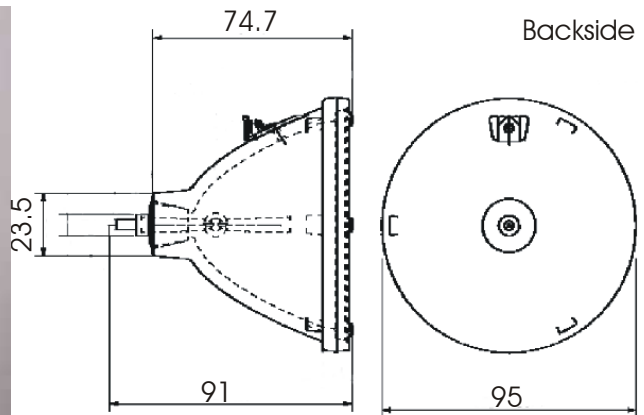
Manufacturer	Philips
Country of Origin	Netherlands
Type	UHP
Reflector	Parabolic, P23, Glass
Power	100W
Arc (mm)	1.3
Lifetime (hours)	15000 (lamp manufacturer specs @ IEC 61947-1 test conditions)



Product information

120 W lamp (production no.: R764225 / sales no.: R9842020)

Manufacturer	Philips
Country of Origin	Netherlands
Type	UHP
Reflector	Parabolic, P23, Glass
Power	120W
Arc (mm)	1.3
Lifetime (hours)	6000 (lamp manufacturer specs @ IEC 61947-1 test conditions)



Product information

200 W lamp (production no.: R764465 / sales no.: R9842760)

Manufacturer	Osram
Country of Origin	Germany
Type	P-VIP 200
Reflector	Parabolic, P22, Glass
Power	200W
Arc (mm)	1.3mm
Lifetime (hours)	2000 (lamp manufacturer specs @ IEC 61947-1 test conditions)

